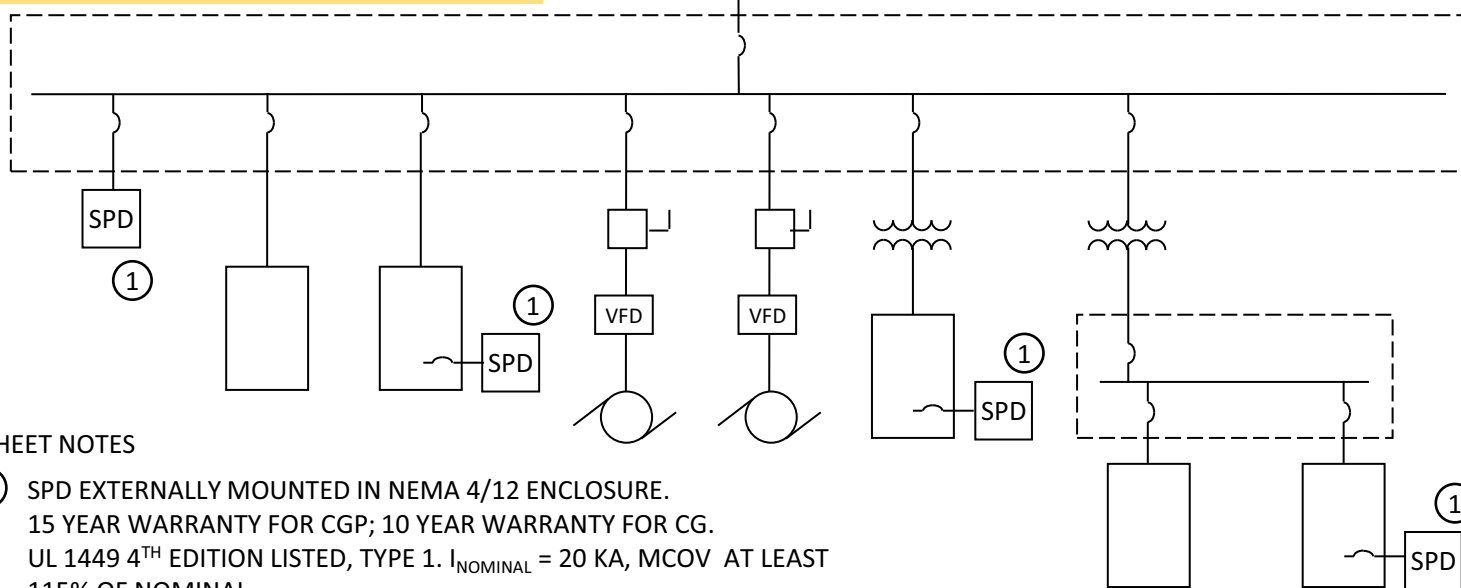


# CurrentGuard (CG) SPD for Tenant Improvement, Design/Build & NEC Compliance

## Load Side of the Main Breaker

### Connection Thru a Breaker



#### SHEET NOTES

- ① SPD EXTERNALLY MOUNTED IN NEMA 4/12 ENCLOSURE.  
15 YEAR WARRANTY FOR CGP; 10 YEAR WARRANTY FOR CG.  
UL 1449 4<sup>TH</sup> EDITION LISTED, TYPE 1.  $I_{NOMINAL} = 20 \text{ KA}$ , MCOV AT LEAST 115% OF NOMINAL.  
TESTED PERFORMANCE PER MODE SHALL BE AS FOLLOWS. SURGE CURRENT CAPACITY: (Insert from Column A below).  
REPETITIVE IMPULSE CAPACITY: (Insert from Column B below).  
SUBMIT TESTING DOCUMENTATION: SURGE CURRENT CAPACITY AND REPETITIVE IMPULSE CAPACITY.  
AFTER INSTALLATION, USE A PORTABLE SURGE GENERATOR/TEST SET TO CONFIRM THE OPERATILITY OF ALL SPD COMPONENTS AND THE PRESENCE OF A NEUTRAL-TO-GROUND BOND. MEASURE AND RECORD ALL LET-THRU VOLTAGES AND SUBMIT THE REPORT TO THE ENGINEER.  
CURRENT TECHNOLOGY MODEL (Insert from chart below).  
FOR PANEL 1000 A - 3000 A, FEED SPD WITH A 100 A/3P BREAKER.  
FOR PANEL 200 A - 800 A, FEED SPD WITH A 60 A/3P BREAKER.  
FOR PANEL 60 A - 100 A, FEED SPD WITH A 30 A/3P BREAKER.  
FOR PANEL 1000 A - 3000 A, USE 4 #2 AWG & 1 #2 AWG GROUND.  
FOR PANEL 200 A - 800 A, USE CURRENT TECHNOLOGY HPI-6Y.  
FOR PANEL 60 A - 100 A, USE INCLUDED CONDUCTORS.

Product Application	
Source Current Rating	Surge Current Capacity per Mode (x2 per Phase)
2000 A (and Above)	200 kA
1600 A	150 kA
1000 A - 1200 A	120 kA
800 A	100 kA
400 A - 600 A	80 kA
200 A	60 kA
100 A	40 kA

#### Application Specific Performance and Model Numbers

Column A	Column B	480Y/277 V Systems		208Y/120 V Systems	
		With Surge Counter	W/O Surge Counter	With Surge Counter	W/O Surge Counter
Surge Current Capacity per Mode (x2 per phase)	Repetitive Impulses per Mode				
200 kA	6500	CGP-200-277/480-3GY	CG-200-277/480-3GY	CGP-200-120/208-3GY	CG-200-120/208-3GY
150 kA	5500	CGP-150-277/480-3GY	CG-150-277/480-3GY	CGP-150-120/208-3GY	CG-150-120/208-3GY
120 kA	5000	CGP-120-277/480-3GY	CG-120-277/480-3GY	CGP-120-120/208-3GY	CG-120-120/208-3GY
100 kA	4500	CGP-100-277/480-3GY	CG-100-277/480-3GY	CGP-100-120/208-3GY	CG-100-120/208-3GY
80 kA	4000	CGP-080-277/480-3GY	CG-080-277/480-3GY	CGP-080-120/208-3GY	CG-080-120/208-3GY
60 kA	3500	CGP-060-277/480-3GY	CG-060-277/480-3GY	CGP-060-120/208-3GY	CG-060-120/208-3GY
40 kA	3000		CG-040-277/480-3GY		CG-040-120/208-3GY